

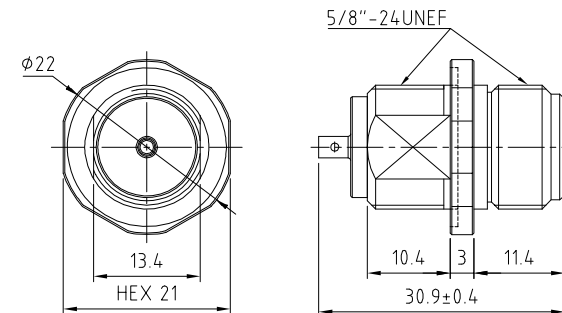
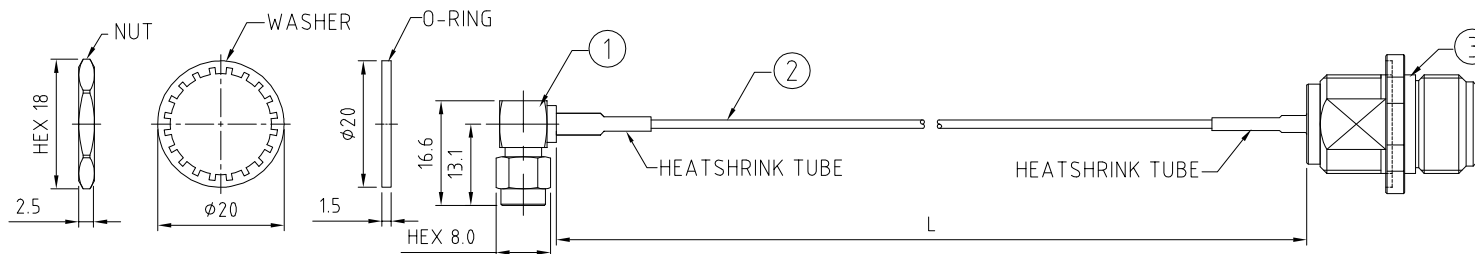
CABLE 192 RF: RF CABLE ASSEMBLY, SMA R/A PLUG + FRONT MOUNT N S/T BULKHEAD JACK WITH O-RING + 1.37MM CABLE

SPECIFICATIONS :

1. SMA RIGHT ANGLE PLUG (C01BA31137008).
2. ϕ 1.37MM COAXIAL CABLE, COLOR: BLACK.
3. FRONT MOUNT N STRAIGHT BULKHEAD JACK WITH O-RING (C28CL3F178017B).

NOTES:

1. THE ORIENTATION OF CONNECTORS ON DRAWING IS FOR REFERENCE ONLY, IF THE ORDER IS LEFT BLANK THE CONNECTOR WILL NOT HAVE FIXED ORIENTATION.
2. FIXED ORIENTATION IS SUGGESTED FOR CABLE LENGTH 50MM TO 100MM. PLEASE SPECIFY THE FIXED ORIENTATIONS FROM THE ORDER CODE (F1, F2, ETC)
3. CONTACT GRAD CONN IF THE ORIENTATION YOU REQUIRE IS NOT SHOWN.
4. WORKING FREQUENCY RANGE: DC-3GHz
5. IT IS INTENDED THAT MOUNTING OF THIS CONNECTOR IS ACHIEVED USING THE NUT AND WASHER PROVIDED. PLEASE CONTACT GRADCONN FOR ADVISE IF PLANNING TO USE A DIFFERENT METHOD OF MOUNTING.



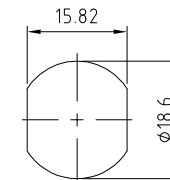
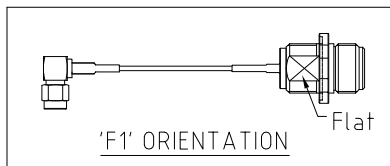
HOW TO ORDER
CABLE 192 RF - X X X X - X X - X - 1

"L" LENGTH IN MM:
eg: 100MM = 0100 (MIN. 0050)
STANDARD = 0100, 0150, 0200
TOLERANCE: <50mm : \pm 2mm.
51-200mm : \pm 5mm.
201-500mm : \pm 7mm.
>501mm : \pm 10mm.

CABLE SIZE:
1 = ϕ 1.37MM CABLE, COLOR: BLACK

O-RING, WASHER AND NUT OPTIONS:
BLANK = SEPARATELY PACKED (STANDARD)
A = ASSEMBLED WITH CONNECTOR

ORIENTATION OPTIONS:
BLANK = DOES NOT HAVE A FIXED ORIENTATION
F1 = SMA CONNECTION DOWN (L=50-200MM)
(SEE NOTES 1, 2, 3 AND DIAGRAMS FOR MORE INFORMATION)



RECOMMENDED N MOUNTING HOLE

REV. DATE & DRN
1.0 27/11/14 - NYW RELEASE
1.1 22/02/19 - NYW REMOVE F2 ORIENTATION
1.2 17/08/20 - NYW ADD NOTE 5.

Scale: NTS	THIRD ANGLE	Unstated X .XX .XXX ANGLES	Tolerances: N/A N/A N/A N/A	Material SEE NOTE
Drawn: NYW				
App'd: XXX	Title CABLE ASSEMBLY	NOT TO SCALE		
Date: 17 AUG. '20	Revision: 1.2	Unit: mm		

THIS DRAWING IS CONFIDENTIAL AND MUST NOT BE COPIED OR DISCLOSED WITHOUT WRITTEN CONSENT

Type: Cable 192 RF
CABLE 192 RF
Drawing Number:
Sheet 1 of 1
Drawing © E and O E